

SMART BEACON

type SB2000/GS -/NGS

Certified product, energy efficiency, very low weight, easy to assemble



- ◆ Flash mode, no external controller required
- ◆ Low power consumption, in flash mode up to **15W at 30 fpm**
- ◆ Very low lamp weight not exceeding **2,9 kg** (SB2000/NGS), **3,2 kg** (SB2000/GS)
- ◆ Day/night detection system - integrated twilight sensor
- ◆ Integrated GPS/GLONASS control system, facilitating cooperation of a group of lamps working in wind turbine farms or other facilities requiring synchronous operation (SB2000/GS)
- ◆ Integrated lamp design (light alloys and composites) with a degree of protection of **IP65 or higher**
- ◆ Mechanical shock resistance - at least **IK08**
- ◆ Electromagnetic compatibility certificate (EMC) - an external accredited body
- ◆ Certificate of compliance with the requirements for medium intensity lamps according to ICAO - an external accredited body
- ◆ Operating temperature: From -55°C to +55°C / storage temperature: From -65°C to +75°C
- ◆ Integrated overvoltage protection class TII (class C) at 36kA for protection against impacts specified in **PN-EN 61000-4-5:2009**
- ◆ Lifetime of active optical components - over **100 000 hours**
- ◆ Enclosure surface protected with antioxidant layers
- ◆ 36 months warranty with the possibility of extension up to 72 months

Made
in Poland

2 000 cd

21V -51V
96V-256V

VAC
VDC

< 15 W
for 30 fpm

< 2,9 kg
< 3,2 kg

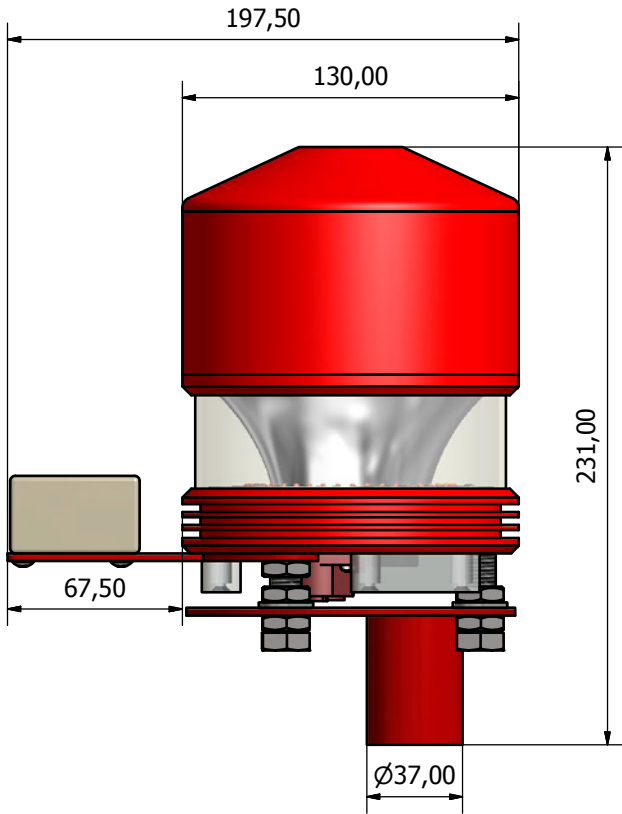


BSSTC.PL Sp. z o.o.
marketing@bsstc.pl
+48 73 595 23 12

www.bsstc.pl | www.bsstc.de | www.bsstc.com



Medium intensity lamp type B (ICAO)



- ◆ Mounting on the object by means of a supporting structure ended with a pipe with a 1" thread
 - on request we design and build dedicated support structures according to customer requirements
 - in our portfolio we have more than 10 dedicated constructions for various objects which can be adapted for lamps of other manufacturers
- ◆ Implement the requirements of regulations issued by the Federal Aviation Administration (FAA), the International Civil Aviation Organization (ICAO), the European Aviation Safety Agency (EASA)

Electrical parameters:

Series lamp type SMART BEACON	Supply voltage	Supply voltage VAC/VDC			Average level of power consumption [W]	Type according to ICAO
		Min.	Typ.	Max.[V]		
SB2000/GS-24V	24 VAC/VDC	21	24	51	< 15 (+/-2%)	B
SB2000/GS-110V	110VAC/VDC	92	230	256	< 15 (+/-2%)	B
SB2000/GS-230V	230 VAC/VDC	92	110	256	< 15 (+/-2%)	B
SB2000/NGS-24V	24 VAC/VDC	21	24	51	< 15 (+/-2%)	B
SB2000/NGS-110V	110 VAC/VDC	92	230	256	< 15 (+/-2%)	B
SB2000/NGS-230V	230 VAC/VDC	92	110	256	< 15 (+/-2%)	B

2000 cd, type B (flash operation) - does not require a separate controller
 SB2000/GS - multi-lamp flash synchronization (GPS/GLONASS) e.g. wind farm
 SB2000/NGS - no flash synchronization of many lamps

Made in Poland

2 000 cd

21V -51V
96V-256V

VAC
VDC

< 15 W
for 30 fpm

< 2,9 kg
< 3,2 kg

